

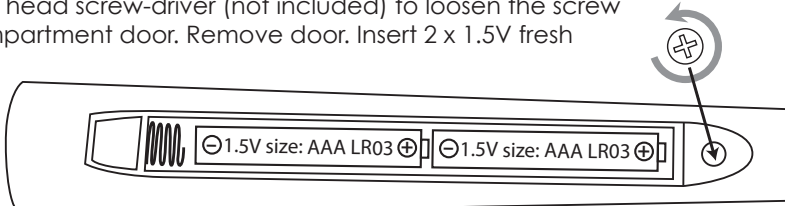
For 1-2 Players  
Ages 4+

# Bubble Buster Kazoo Game

## Instructions

### TO INSERT BATTERIES:

Use a Phillips/cross head screw-driver (not included) to loosen the screw in the battery compartment door. Remove door. Insert 2 x 1.5V fresh "AAA" or LR03 size alkaline batteries. Alkaline batteries are required. Replace door and tighten screw.



### Battery information

- Remove rechargeable batteries from the toy before recharging.
- Only recharge batteries under adult supervision.
- Do not recharge non-rechargeable batteries.
- Do not mix different types of batteries, or new and used batteries.
- Use only AAA or their equivalent as stated.
- Insert batteries in the correct polarity (see diagram)
- Remove exhausted (used) batteries from the toy.
- Do not short circuit the supply terminals of the batteries.
- Do not insert connecting wires into electrical socket outlets.

### Disposal of old Electrical and Electronic Equipment.

This symbol on the product or its packaging indicates that this product shall not be treated as household waste. Instead it should be handed over to the appliance collection point for the recycling of electrical and electronic equipment. For more detailed information about recycling of this product, please contact your local Civic Office, your household waste disposal service or the shop where you purchased the product.

If returning the old product to the store where you purchased the new item from you should first check they are in an applicable scheme.

The old product must have the same function as the new product and may have to be returned within a set period from the date of purchase of the new item. You must take proof of purchase of your new item when returning your old product to the store.

Requires 2 x AAA Batteries NOT INCLUDED. Please remember that small button cells, AA and AAA batteries should be kept away from young children as they could be easily swallowed. Seek medical advice if you believe a cell has been swallowed.



**WARNING:** Not suitable for children under 36 months due to small parts. CHOKING HAZARD.



Colour and contents may vary from those shown. Please retain this information for future reference.

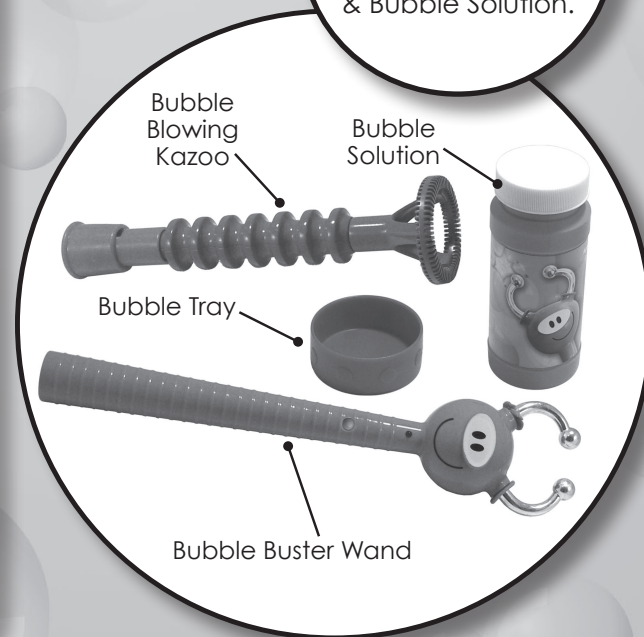
The **BUBBLE BUSTER KAZOO** game is a two-player game in which each player takes a turn at blowing bubbles, and bursting bubbles and the one that bursts the most **PINGING** bubbles wins.

To get the most out of your Bubble Buster Kazoo game please read these important notes:

1. Not all the bubbles you burst will make a **PING** noise. A steady, gentle prod with the wand is more likely to make a **PING** than a quick, jerky jab.
2. The very best way to make a **PING** is to gently 'catch' a bubble between the silver horns, then twitch the wand to burst it.
3. To help the wand to **PING** more easily in dry air, rub a little bubble liquid over the ends of the silver horns.

### CONTENTS:

Bubble Buster Wand,  
Bubble Blowing Kazoo,  
Bubble Tray  
& Bubble Solution.



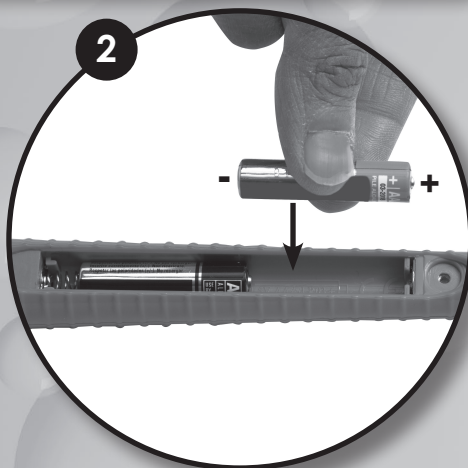
**DRUMOND  
PARK**

Manufactured by Drumond Developments Ltd.,  
PO Box 790, Ipswich IP1 9GP, UK. Made under licence  
from The Merlin Group. © 2013 Drumond Developments Ltd.

See and play more great Drumond Park games at  
[www.drumondpark.com](http://www.drumondpark.com)

## GETTING READY TO PLAY:

Ask an adult to place 2 AAA batteries into the wand. Unscrew the battery compartment door and insert the batteries into the wand as shown and screw the door back on (pic 1 and 2).



Pour some bubble solution into your bubble tray – about 4mm deep.



## GAME PLAY:

This is a game for **TWO** players. Decide which of you will be **Player 1** and **Player 2**.

**Player 1** will start as the **BUBBLE BUSTER**.

**Player 2** will start as the **BUBBLE BLOWER**.

The **BUBBLE BLOWER** starts the turn. Dip the end of the Kazoo into the tray of bubble liquid and let any extra liquid drip off for a moment. Now start blowing bubbles.

The **BUBBLE BUSTER** then presses the start button on the wand and starts bursting bubbles.

The wand will give **Player 1**, 30 seconds to burst as many bubbles as he can. **Player 2** must keep blowing bubbles for the whole 30 seconds. When the 30 seconds are up the wand will play a short tune and say how many PINGING bubbles **Player 1** has burst.

Now the players swap the wand and the Kazoo and play a second turn. **Player 1** starts blowing bubbles and **Player 2** presses the start button and starts bursting bubbles.

**Please clean the blower when swapping between players.**

## WINNING:

At the end of the second turn the wand will play a tune then say the number of PINGING bubbles that **Player 2** has burst AND which player is the WINNER!

The Bubble Buster Wand is now ready to start another game.

## HINTS ON BUBBLE BURSTING:

Make sure the tips of both silver horns touch a bubble when you burst it or it will not PING and count it. As you burst more PINGING bubbles, the "PINGS" get higher in pitch.

### IF THE WAND MAKES NO NOISE:

If the wand makes no PINGING sound check it is switched on. If it still does not PING when bursting bubbles, use a metal item to bridge across the horns, this should make the wand PING and switch on the little red light. If this does not work then replace the batteries.

### REPEATED PINGING NOISES:

If the wand makes a repeated PINGING sound, switch off the wand. Clean the head and silver horns with a damp cloth – especially the top of the head between the horns - then dry it before you play another game.

**Please clean the Kazoo with water after use. Also please wipe the wand and horns before putting away.**

*Did you know that bubbles evaporate? So the earlier you touch them the better chance of finding that magic "PING" noise.*

**WARNING: Spray from the bubbles can cause the floor to become slippery.**

